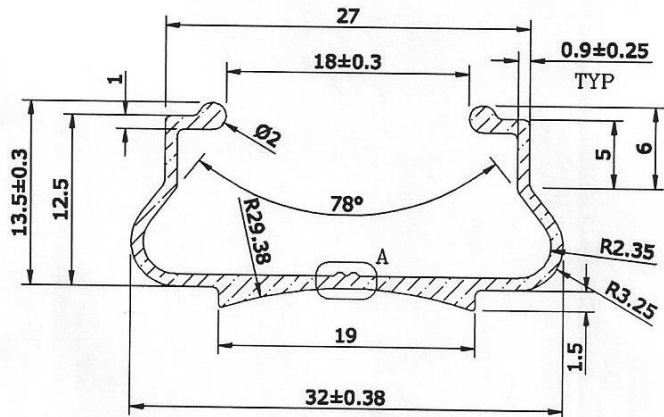


PALRING Locking Profile



Galvanized Locking Profile

- Material – Aluminum.
- Scientific interior angle design and self-locking performance.
- Width: Base: 32mm, Top entrance: 18mm, Height: 13mm
- Thickness: 0.9mm.
- Length: 12ft (3.66m). (Up to 12m)

Plastic Coated Spring

- Working with locking profile.
- In some tests found that van stand in wind speed of 117km/h.
- Special spring steel wire that may be used for many times without distortion.
- Plastic coated to care film and operator.
- Anti Aged and anti UV treatment for the plastic coating.
- Thickness: 2.2mm
- Length: 2m

The test data is based on an average taken over several productions runs and should not be considered or interpreted as minimum or maximum values. Values are typical data and not limiting specifications.